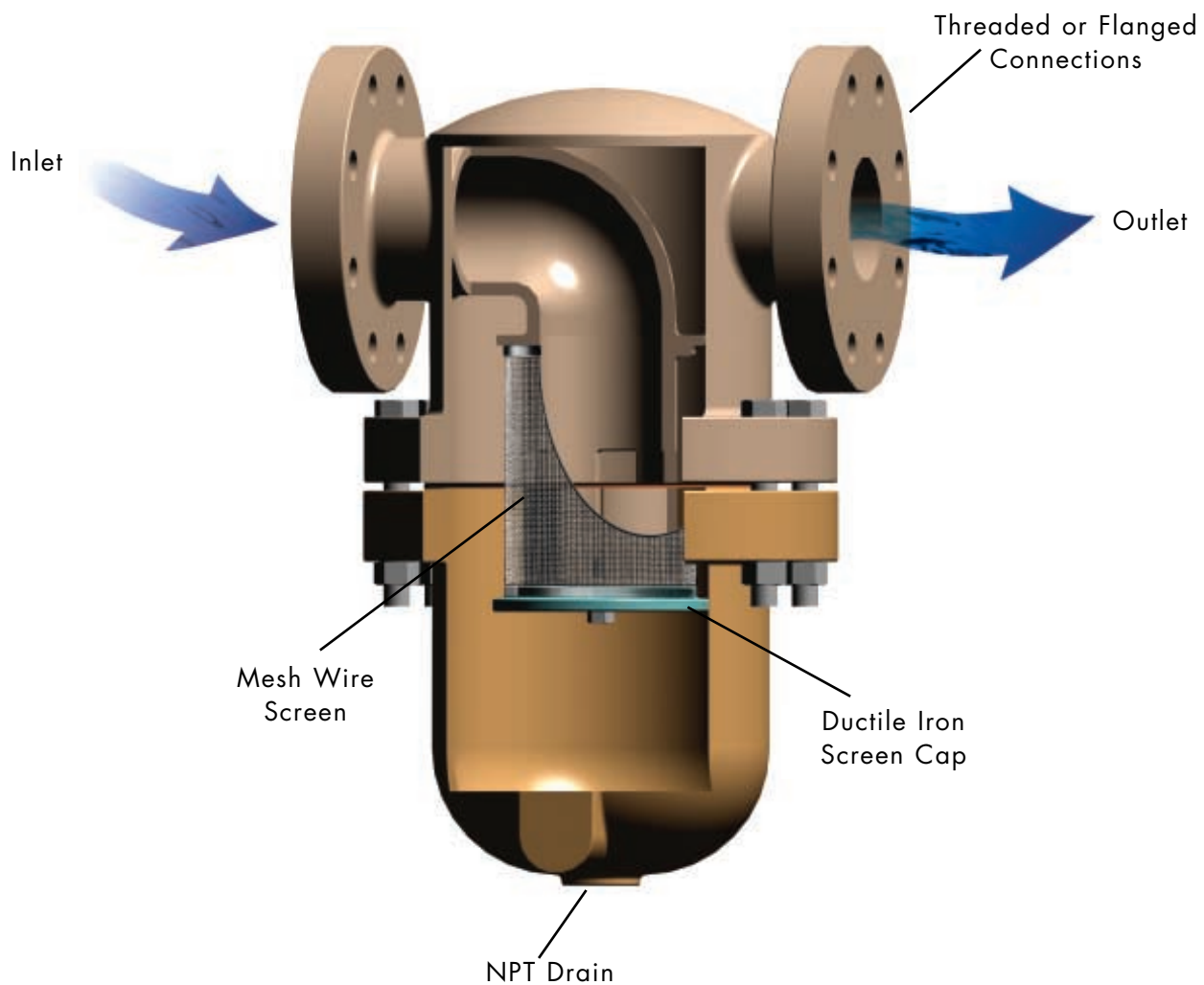


*removes up to 99%
of all contaminants*

AIR AND STEAM SEPARATORS

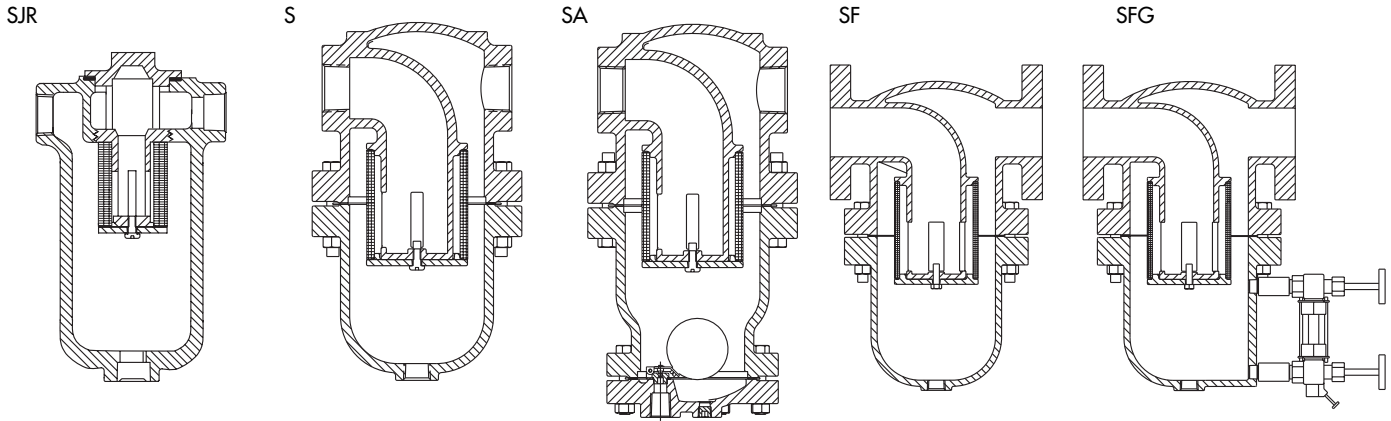


Features

- Open flow design
- Screen available in bronze, aluminum or stainless steel
- Threaded and flanged assemblies
- Vertical installation
- Ductile iron construction
- Rated up to 300 psig and 650°F

Benefits

- Minimal pressure drop
- Application flexibility
- "Drop-In" installation
- Space saving, compact
- Captures up to 99% of entrained moisture and solids



Type	Size	Screen	Part ID	Height	Face to Face Width	Drain	Weight (lbs)
SJR	3/8"	Aluminum	18A01000	9.00	5.00	0.75	9
		Bronze	18A03000				
	1/2"	Aluminum	18A01020	9.00	5.00	0.75	9
		Bronze	18A03020				
	3/4"	Aluminum	18A01040	9.00	5.00	0.75	9
		Bronze	18A03040				
S	3/4"	Aluminum	18A01060	10.75	6.00	0.75	29
		Bronze	18A03060				
	1"	Aluminum	18A01080	10.75	6.00	0.75	29
		Bronze	18A03080				
	1 1/4"	Aluminum	18A01100	10.75	6.00	0.75	29
		Bronze	18A03100				
	1 1/2"	Aluminum	18A01120	14.19	7.75	0.75	50
		Bronze	18A03120				
	2"	Aluminum	18A01140	14.19	7.75	0.75	50
		Bronze	18A03140				
SA	3/4"	Aluminum	18A02000	12.25	6.00	0.50	28
		Bronze	18A03280				
	1"	Aluminum	18A02020	12.25	6.00	0.50	28
		Bronze	18A03290				
	1 1/4"	Aluminum	18A02040	12.25	6.00	0.50	28
		Bronze	18A03300				
	1 1/2"	Aluminum	18A02060	15.19	7.75	0.50	48
		Bronze	18A03320				
	2"	Aluminum	18A02080	15.19	7.75	0.50	48
		Bronze	18A03340				
SF (150 lb flg.)	3" Flanged	Aluminum	18A01160	19.16	13.00	0.75	125
		Bronze	18A03160				
	4" Flanged	Aluminum	18A01180	22.44	15.00	1.00	175
		Bronze	18A03193				

Aluminum screen recommended for air. Bronze screen recommended for steam. Stainless steel screen available on request.
Flange connections available in 150 lb or 300 lb ratings.

Recommended Air Capacities (SCFM)

Operating Pressure

Size	25	50	75	100	125	150	200	250	300
3/8 SJR	17	24	30	35	39	42	49	55	60
1/2 SJR	21	29	36	41	46	51	59	66	72
3/4 SJR	26	37	45	52	58	63	73	82	90
3/4	35	49	60	69	77	85	98	109	120
1	86	122	150	173	193	211	244	273	299
1 1/4	104	147	179	207	232	254	293	328	359
1 1/2	173	244	299	345	386	423	488	546	598
2	224	317	389	449	502	550	635	710	778
3	483	684	837	967	1,081	1,184	1,367	1,529	1,675
4	760	1,074	1,316	1,520	1,699	1,861	2,149	2,403	2,632

Based on 80°F air temperature and 1 psi pressure drop.

Recommended Steam Capacities (pph)

Operating Pressure

Size	25	50	75	100	125	150	200	250	300
3/8 SJR	45	71	97	123	148	173	223	274	324
1/2 SJR	72	114	155	195	235	275	355	435	516
3/4 SJR	126	199	271	342	413	483	624	764	905
3/4	126	199	271	342	413	483	624	764	905
1	204	323	440	555	670	784	1,011	1,239	1,467
1 1/4	354	559	761	961	1,159	1,356	1,750	2,144	2,539
1 1/2	481	761	1,036	1,307	1,577	1,846	2,382	2,918	3,456
2	793	1,255	1,707	2,155	2,600	3,042	3,925	4,809	5,696
3	1,747	2,764	3,762	4,748	5,727	6,702	8,648	10,595	12,549
4	3,009	4,760	6,478	8,176	9,862	11,542	14,892	18,245	21,609

Based on 6,000 fpm and approximately 1.5 psi pressure drop.